

SPECIAL SCANTLINGS FOR LIFTING-/SLIDING-DOOR FRAMES

Technical Data – FSC®- or PEFC-certificate available!

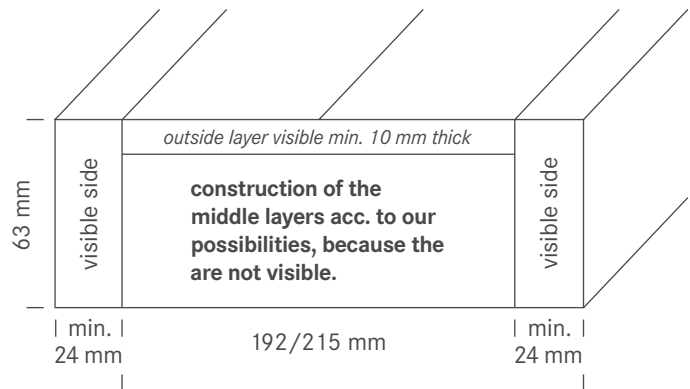
SPECIE: Pine, Spruce

CONSTRUCTION:

top layer solid, thickness min. 10 mm, v. g./semi v. g.
further layers finger jointed
crossband solid, thickness min. 24 mm

LAMINATION: PU-glue

LENGTH: 2,50 m/3,00 m/4,00 m



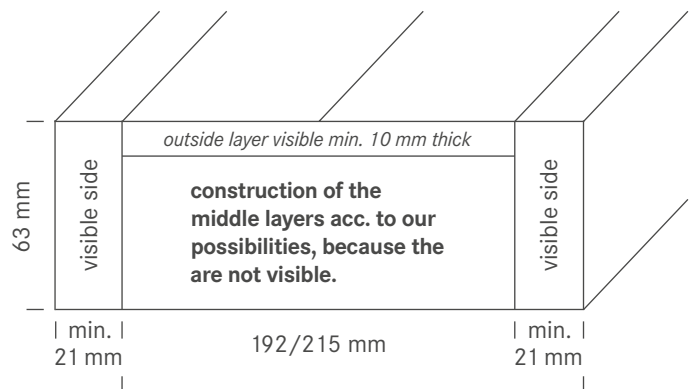
SPECIE: americ. White Oak

CONSTRUCTION:

top layer solid, thickness min. 10 mm, in v. g./semi v. g.
further layers finger jointed
crossband solid, thickness min. 21 mm (Oak)
 thickness min. 24 mm (Larch)

LAMINATION: americ. White Oak D4-glue
 E. Globulus D4-glue

LENGTH: 2,30 m/2,50 m/3,00 m/4,00 m



SPECIE: Meranti

CONSTRUCTION:

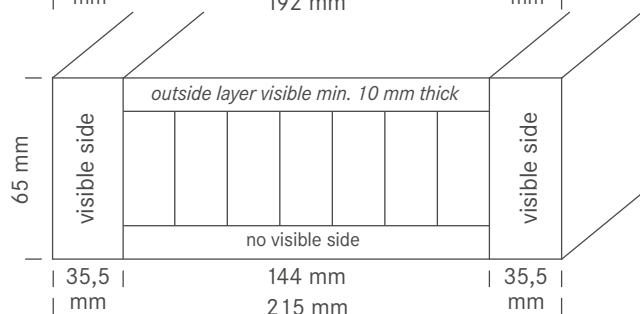
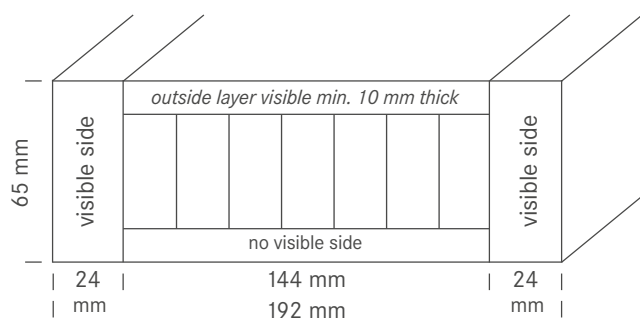
STRUCTURE (ACCORDING TO DRAWINGS):

top layer solid, thickness min. 10 mm v. g./semi v. g.
further layers finger jointed
crossband solid, thickness 24 mm

LAMINATION: waterproof glued

LENGTH:

192 mm 2,20 / 2,50 / 3,00 / 3,50 / 4,50 / 5,00 / 5,90 m
215 mm 2,20 / 2,50 / 3,00 / 3,50 / 4,50 / 5,00 / 5,90 m



All special dimensions or special constructions as per your inquiry!

SPECIAL SCANTLINGS FOR LIFTING-/SLIDING-DOOR FRAMES

Technical Data:

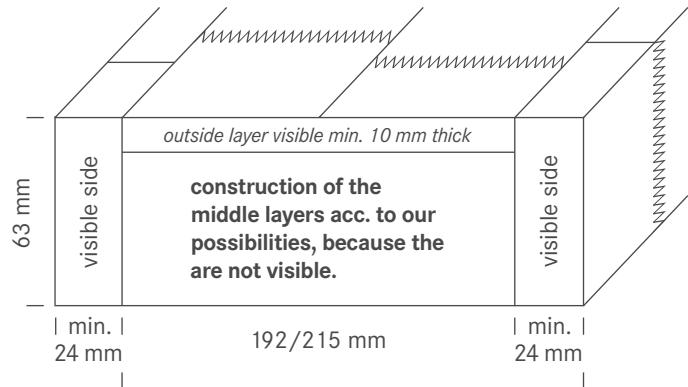
SPECIE: Pine, Spruce

CONSTRUCTION:

top layer max. 4 finger joints visible
thickness min. 10 mm, v. g./semi v. g.
further layers finger jointed or edge glued
crossband produced of finger joint-length 1,80 m+
thickness min. 24 mm

LAMINATION: PU-glue

LENGTH: 6,20 m



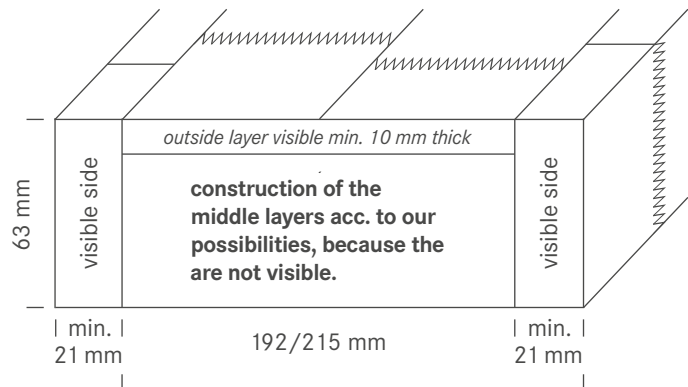
SPECIE: americ. White Oak, E. Globulus

CONSTRUCTION:

top layer max. 4 finger joints visible thickness min. 10 mm.
further layers finger jointed or edge glued
crossband max. 4 finger joints visible
thickness min. 21 mm (Oak)

LAMINATION: americ. White Oak D4-glue
E. Globulus D4-glue

LENGTH: 6,20 m



All special dimensions or special constructions as per your inquiry!